

# OWNER'S MANUAL

Assembly & Operating Instructions

## BBT PUSH MOWER

MODEL NO. BBT-65PM



## To The Owner

Thank you for purchasing our Push Mower. It was carefully engineered to provide excellent performance when properly operated and maintained.

Please read this entire manual prior to operating the Push Mower. It instructs you how to safely and easily set up, operate and maintain your Push Mower. Please be sure that you and any other persons who will operate the Push Mower carefully follow the recommended safety practices at all times. Failure to do so could result in personal injury or property damage.

All information in this manual is relative to the most recent product information available at the time of printing. Review this manual frequently to familiarise yourself with the machine, its features and operation. Please be aware that this Owner's Manual may cover a range of product specifications for various models. Characteristics and features discussed and/or illustrated in this manual may not be applicable to all models. We reserve the right to change product specifications, designs and equipment without notice and without incurring obligation.

All the power testing information used to establish the power rating of the engine equipped on this Push Mower can be found in the engine manufacturer's manual or website. If you have any problems or questions concerning the machine, please contact our Customer Support Department.

Throughout this manual, all references to right and left side of the Push Mower are observed from the operating position. The engine manufacturer is responsible for all engine-related issues with regards to performance, power-rating, specifications, warranty and service. Please refer to the engine manufacturer's Owner's Manual packed separately with your Push Mower for more information.

## Customer Support

***Please do NOT return the Push Mower without first contacting the Customer Support Department at [bbt@bbta.com.au](mailto:bbt@bbta.com.au).***

If you have difficulty assembling this product or have any questions regarding the controls, operation, or maintenance of this Push Mower, please contact our Customer Support Department.

**SAVE THESE INSTRUCTIONS**

# TABLE OF CONTENTS

	Page(s)
To The Owner.....	2
Customer Support.....	2
<b>TABLE OF CONTENTS .....</b>	<b>3</b>
<b>IMPORTANT SAFETY INFORMATION .....</b>	<b>4-5</b>
Additional Information and Potential Changes.....	4
Key to Symbols.....	5
<b>GENERAL SAFETY RULES .....</b>	<b>6</b>
General Safety Rules.....	6
Specific Safety Rules .....	6
Spark Plug Safety Rules .....	7
Fire and Burn Hazards .....	7
<b>PARTS LOCATION.....</b>	<b>8</b>
<b>ASSEMBLING .....</b>	<b>9</b>
Grass Catcher.....	9
Handle .....	9
Cutting Height Adjustment.....	9
<b>OPERATIONS .....</b>	<b>10</b>
Engine Starting .....	10
Regulation of the Drive Cable (b).....	10
<b>MAINTENANCE CARE .....</b>	<b>11</b>
Maintenance and Storage .....	11
Blade.....	11
<b>SPECIFICATIONS.....</b>	<b>12</b>
<b>WARRANTY &amp; SERVICE .....</b>	<b>13</b>
<b>EXPLODED DIAGRAM &amp; PARTS LIST.....</b>	<b>14-15</b>
<b>YOU MAY ALSO LIKE .....</b>	<b>16</b>



## IMPORTANT SAFETY INFORMATION



**WARNING:** Read and thoroughly understand all instructions in this manual and on the safety decals before assembling or operating this Brush Cutter. Failure to do so may cause serious injury or death. Do not allow anyone to operate this Brush Cutter who has not read this manual. As with all power equipment, a Brush Cutter can be dangerous if assembled or used improperly. Do not operate this Brush Cutter if you have any questions concerning its safe operation. To get answers to any questions, call our Customer Support Department.



This SAFETY ALERT SYMBOL identifies important safety messages in this manual. Failure to follow this important safety information may result in serious injury or death.



**DANGER!** This Brush Cutter was built to be operated according to the safe operation practices in this manual. As with any type of power equipment, carelessness or error on the part of the operator can result in serious injury. This Brush Cutter is capable of amputating hands and feet and throwing debris. Failure to observe the following safety instructions could result in serious injury or death.

The following signals, words and meanings are intended to explain the levels of risk associated with this product.



**DANGER**

**DANGER** indicates a hazardous situation which, if not avoided, will result in serious injury or death.



**WARNING**

**WARNING** indicates a hazardous situation which, if not avoided, could result in serious injury or death.



**CAUTION**

**CAUTION** indicates a hazardous situation which, if not avoided, could result in minor or moderate injury.

**NOTICE**

**NOTICE** is important information about the proper use of your Brush Cutter. Failure to follow this instruction could result in damage to your Brush Cutter or property.

### Additional Information and Potential Changes

We reserve the right to discontinue, change, and improve our products at any time without notice or obligation to the purchaser. The descriptions and sections contained in this manual were in effect at the time of printing. Equipment described within this manual may be optional. Some illustrations may not be applicable to your machine.

**WARNING!** Your Responsibility—Restrict the use of this power machine to persons who have read, understood and will follow the warnings and instructions in this manual and on the machine.

**SAVE THESE INSTRUCTIONS!**



# IMPORTANT SAFETY INFORMATION

## Key to Symbols

Symbol	Description
	<b>READ THE OWNER'S MANUAL(S)</b> Read, understand and follow all instructions in the manual(s) before attempting to assemble and operate.
	<b>FACE PROTECTION</b> Always wear safety goggles or safety glasses with side shields or a face shield when operating this product as well as ear protection.
	<b>WEAR GLOVES</b> Always wear non-slip, heavy-duty protective gloves when operating this product.
	<b>WEAR SAFETY FOOTWEAR</b> Always wear non-slip steel-toed safety footwear when operating this product.
	<b>BEWARE OF FLYING OBJECTS</b> Beware of thrown objects which can ricochet causing serious injury to the eyes. Always wear eye & ear protection when operating.
	<b>BYSTANDERS</b> Keep bystanders, helpers, pets, and children at least 25 metres from the machine while it is in operation. Stop machine if anyone enters the area.
	<b>TOXIC FUMES</b> Breathing exhaust fumes can cause loss of consciousness and may lead to death. <b>DO NOT</b> operate the machine in an enclosed space.
	<b>PETROL IS FLAMMABLE</b> Petrol is extremely flammable. Allow the engine to cool for at least ten minutes before refuelling.
	<b>DANGER!</b> Keep your hands and feet away from the cutting element!
	Remove the spark plug before carrying out repairs.
	<b>CAUTION!</b> Tool surfaces can be hot.
	<b>DO NOT</b> use in the rain.
	Blades continue to rotate after the engine stops. Rotating blades are capable of amputating hands and feet and throwing objects.

# GENERAL SAFETY RULES

- These models of petrol lawn mowers are intended for grass mowing, other uses are not permitted.
- It is only suitable for private use in home and hobby gardens. Mowers for private home and hobby garden use are considered to be those used for the care of private grass areas and lawns, but not for use in public areas, parks, sports areas, and in agriculture and forestry.
- Read, understand, and follow all instructions on the machine and manual before attempting to assemble and operate. Keep this manual in a safe place for future and regular reference. Anyone who uses this Push Mower must read the instructions and be familiar with the mower.
- Please, read and take note of the following comments that regard your protection against the risk of injury and fire.

## General Safety Rules

- This machine is to be used exclusively for cutting natural grass. **NEVER** use the mower for any other purposes. Any other utilization can involve danger to your safety and can involve damage to the mower.
- People under 16 years and people who are not familiar with the user's instructions must not use the mower.
- The user is responsible of the safety of other people in the working area. Keep children and animals at a safe distance while the mower is in use.
- Before mowing, remove all foreign objects from the lawn which may be thrown by the machine, stay alert for any foreign object which may have been missed.
- Check that all nuts, bolts and screws are tight.
- Before mowing, place the grass catcher in its position.
- Before mowing, make sure that the blade and the blade fixing screw are securely fastened. When cutting edges, blades may require re sharpening, this must be done evenly on both sides, in order to prevent any imbalance. If the blade is damaged, it must be replaced.
- When mowing, always wear long trousers and strong footwear.
- **NEVER** run the engine in an enclosed and/or poorly ventilated area, engine exhaust contains carbon monoxide, an odourless and deadly gas.
- Work only when there is sufficient light.
- **DO NOT** use your BBT Push mower when it is raining or when the grass is wet.
- Particular precautions must be taken while mowing on slopes or downing stretches. Mow across the face of slopes, **NEVER** down or up.
- Turn off the engine if you must leave the lawn mower unattended, displace the lawn mower or incline it.
- **NEVER** lift the rear of the mower while starting the engine and **NEVER** place your hands and feet underneath the deck or into the rear discharge chute while the engine is running.

### CAUTION

**NEVER** change in any way the rated speed of the engine.

**NEVER** lift or carry the mower while the engine is running.

## Specific Safety Rules

- Always use the BBT Push mower with the grass catcher (7) or/and the deflector (9) in position.
- Stop the engine before emptying the grass catcher (7) or before you change the cutting height.
- While the engine is running, **NEVER** place your hands or feet under the lawn mower or under the grass ejection area.
- Before mowing, remove all foreign objects from the lawn, which maybe thrown by the machine.
- Keep children, bystanders and domestic animals at a safe distance when the lawnmower is in use.
- **NEVER** lift the mower while starting the engine.

### WARNING

**DO NOT** operate your BBT Push Mower whilst under the influence of alcohol, drugs or medication.

# GENERAL SAFETY RULES

## Spark Plug Safety Rules

- Stop the engine and remove the spark plug cover in these cases:
  - » before carrying out any maintenance or work under the deck or near the grass rear discharge chute.
  - » before any maintenance, repairing or checking operations.
  - » before carrying, lifting or removing the mower.
  - » if you leave the mower unattended or changing the cutting height.
  - » to remove and emptying the grass catcher.
  - » after hitting a foreign object, stop the engine and check thoroughly the mower in order to see there is damage. Take the mower to an authorized service station to do the repairing if necessary.

## WARNING

After you have stopped the engine, the blade is still in motion for a few seconds. Wait till blades have come to a complete stop.

- If the mower vibrates in an abnormal way, try to find the reasons why, or take your mower to an authorized service station.
- Check all nuts, bolts and screws are tight to be sure the equipment is in a safe working condition.

## Fire and Burn Hazards

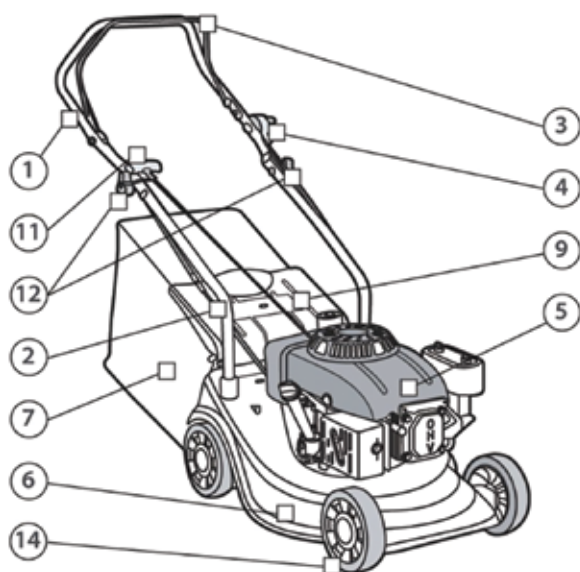
- Always store petrol in an approved, tightly sealed container. Store container in a cool, dry place.
- Always fill up the tank with a funnel, always fill up your fuel tank outside. **DO NOT** smoke. **DO NOT** use mobile phone.
- Fill up with petrol and oil before starting the engine. **NEVER** open the cap of
- the fuel tank to add petrol while the engine is running or still hot.
- **DO NOT** start the engine if there is spilt petrol, wipe it off the engine and equipment, and move the mower to another area, wait 5 minutes before starting the engine.
- Close tightly the fuel tank cap.

# PARTS LOCATION

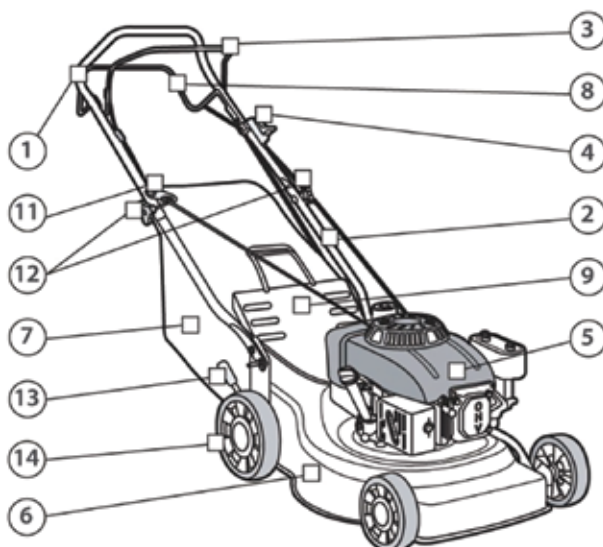
- |                       |                             |
|-----------------------|-----------------------------|
| 1. Upper handle       | 9. Deflector                |
| 2. Lower handle       | 10. Mulcher*                |
| 3. Engine control bar | 11. Recoil starter          |
| 4. Throttle control   | 12. Nut knobs               |
| 5. Engine             | 13. Height adjustment lever |
| 6. Carter             | 14. Wheels                  |
| 7. Grass catcher      | 15. Side cover*             |
| 8. Propeller bar      | 16. Discharge open*         |

- a. Metallic frame  
 b. Drive cable  
 \* Optional extras

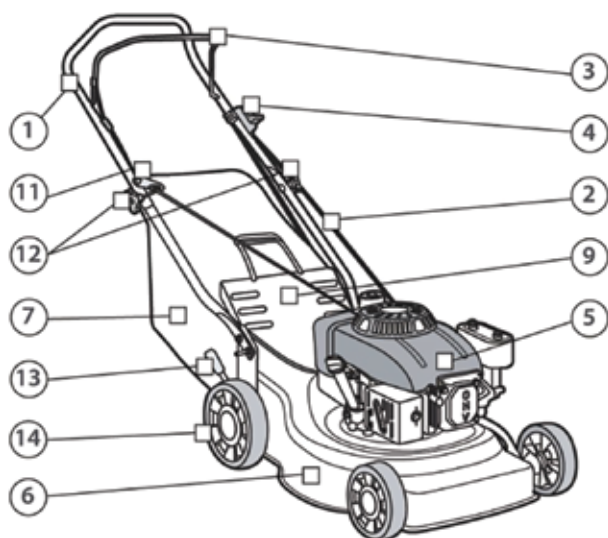
Not all of the accessories illustrated or described are included as standard delivery.



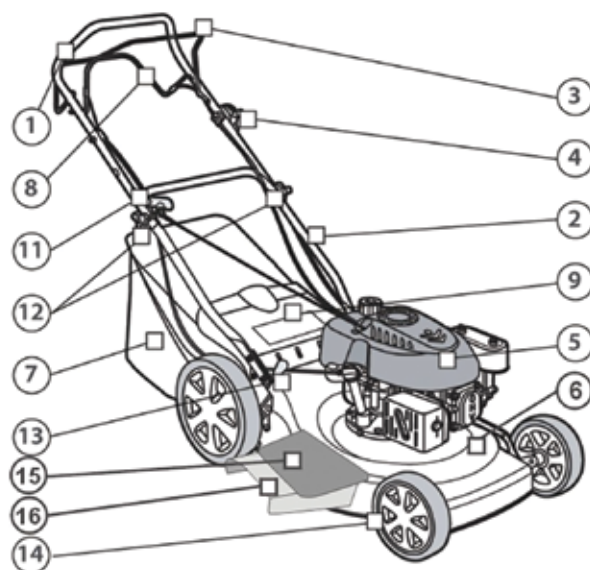
Plastic deck Mower



Self-propelled Mower



Hand Push Mower



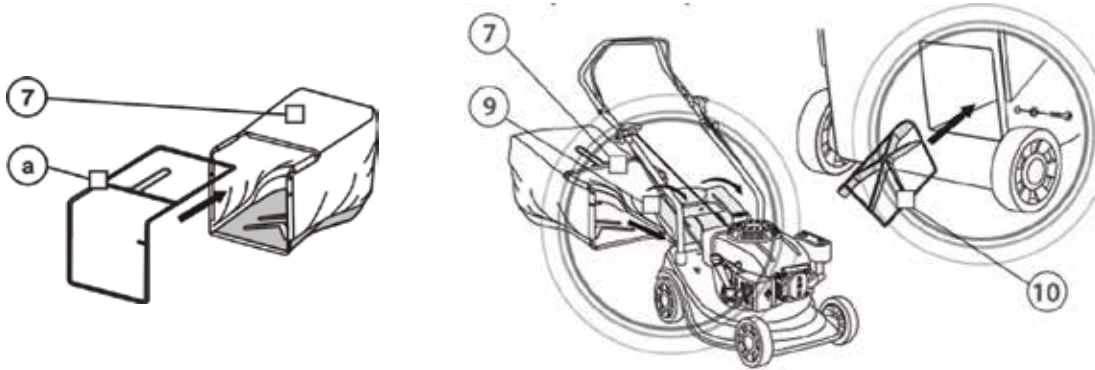
Mower with Side Discharge



# ASSEMBLING

## Grass Catcher

- Put the metallic frame (a) inside the grass catcher (7).
- Fix the grass catcher (7) on the metallic frame (a).
- Pull up the deflector (9) and place the grass catcher (7) in its place.



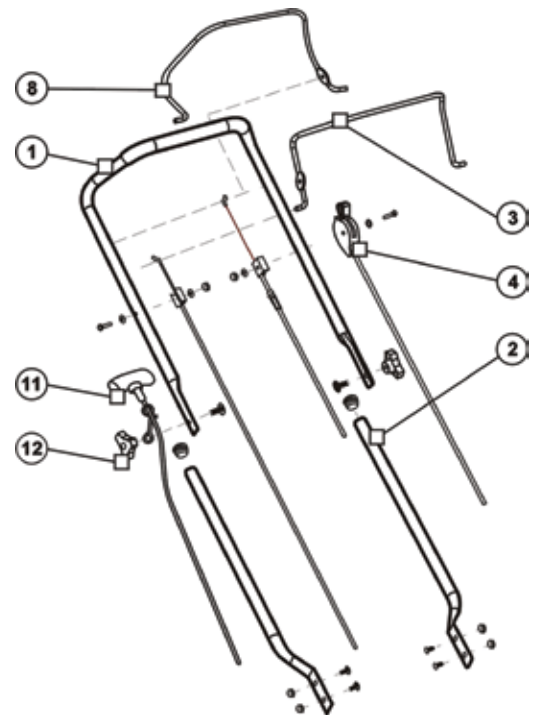
### **Mulching option:**

- Place the mulcher (10) inside the grass evacuation place.

## Handle

- Open out the handle and screw the handle parts with the two screws and plastic nuts.
- Join upper (1) and lower handle (2), with the two nut knob (12) and its screws.
- Put the recoil starter (11) on the right of the handle and fix the cable with the plastic collar.
- Introduce the rope of the recoil starter (11) on its support guide rope.

Plastic Deck



## Cutting Height Adjustment

Wheels independent adjustment:

- Set the desired height, tightening wheel by wheel (14) at the same height position.

Central height adjustment:

- Set the desired height by pulling and turning the height adjustment lever (13).

### **Side Discharge Option:**

Pull upwards the side cover (15), attach the discharge open (16) onto the deck and release the side cover (15).

# OPERATIONS

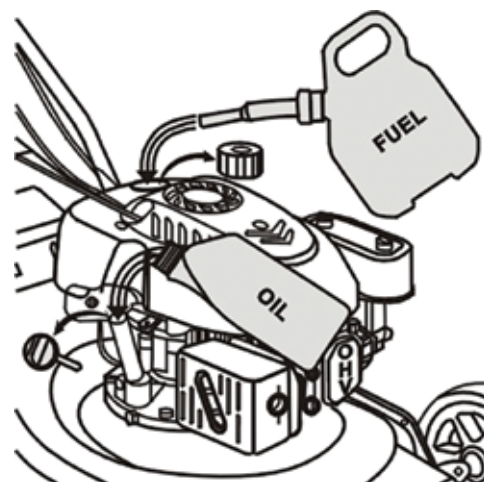
## Engine Starting

### ⚠ CAUTION

Engine delivered without oil: Add oil before starting the engine.

Once the machine has been set up properly, start the engine as follows:

- Put the throttle control (4) in the START position or
- Take the engine control bar (3) and maintain it against the superior handle, pull on the recoil starter handle (11) until you can feel resistance and then pull harshly.
- Put the lever on RUN position



### ⚠ WARNING

Blade is in action as soon as the engine starts. While the machine is working, maintain the throttle control (4) in working position. The engine will stop as soon as you release the engine control bar (3).

### ⚠ CAUTION

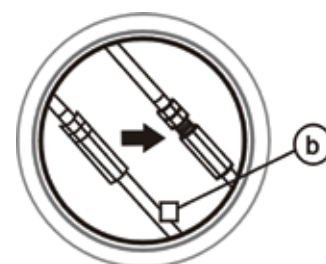
Check frequently and polish the gears in the wheels (14) and put grease on them. Do the same on the bar bearing if any.

## Regulation of the Drive Cable (b)

### ⚠ WARNING

Before you adjust the drive cable (b), release the control bar and wait till the engine stops.

- If the drive system does not engage and disengage correctly, check the handle for correct assembly. Make sure that all parts are in good condition and that all the fasteners are tight.
- The drive system can slip if the drive cable (b), is too loose.
- If the drive system slips, you need to shorten the cable: turn the cable nut and test the drive system.
- If the drive system still slips, repeat the adjustment and test until the drive system does not slip.
- Before you begin to mow, make sure the drive system will correctly disengage and that the mower will stop. If the drive system will not disengage, take the lawn mower to an authorized service centre before you operate it.
- **ATTENTION:** Make sure that all cables are tense enough.



# MAINTENANCE CARE

## Maintenance and Storage

### ⚠ WARNING

Stop the engine and unplug the spark plug before any repairing or maintenance work is carried out.

- Make sure that all nuts, bolts and screws are kept well tightened to keep the lawn mower in a safe operating condition.
- **NEVER** store the lawn mower with petrol in the tank or in an enclosed area where petrol fumes could reach a strong heat source or a flame. Allow the engine to cool down before you store your lawn mower in a storage place.
- In order to reduce any risk of fire, clean the lawn mower in particularly the engine, the muffler, and the fuel tank. Suppress all grass traces, leaves or excess of grease.
- Check frequently the condition of the deflector and the grass catcher, replace them if there is any damage.
- If you have to drain oil from the tank before winter, do this operation outside.
- Wear thick gloves before mounting or sharpening the blade. Be sure that the blade is always well balanced.
- Check regularly the oil level, add oil or replace it if necessary.
- Frequently check the lawn mower and make sure that all grass deposits are removed from beneath the deck.
- Lubricate regularly the wheel (14) axle and the bearing with grease.
- Check blades often, in order to obtain clean work the blade should always be sharp and well balanced.
- At regular intervals check and tighten all bolts and screws. Wear off or badly tightened nuts and bolts can cause damages to the engine or to the frame.
- If the blade hits violently an obstacle, stop the lawn mower and take your mower to an authorized service centre.

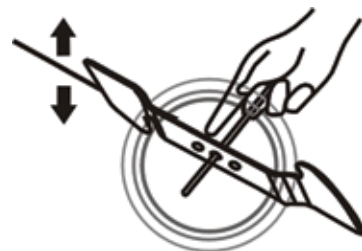
## Blade

### ⚠ WARNING



Wear gloves, stop the engine and unplug the spark plug before proceeding with these operations.

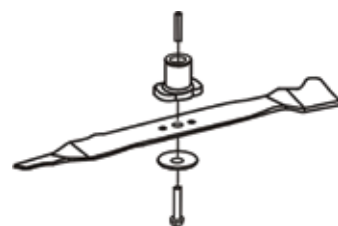
- The blade is made of pressed steel, in order to obtain a clean work, sharpen the blade frequently, about every 25 hours of work. Be sure that the blade is always well balanced.
- Introduce a small iron axle (2 or 3 mm of diameter) in the central hole of the blade:
- It should stay horizontal. If the blade does not stay horizontal, balance it by taking off some of the metal on the side which is down.



### ⚠ WARNING

Use only original spare parts. Spare parts of bad quality can cause damages to your lawn mower and compromise your safety.

- To remove the blade, unscrew the screw, check the blade support and change all spare parts if they are worn out or damaged.
- To sharpen the blade, place it in a vice and file the cutting edge evenly, checking its balance.
- When reassembling the blade, make sure that the cutting edges face in the direction of the engine's rotation. The blade screw must be torqued to
- 3.7Kg\*m/s2(37Nm) with a dynamometric tool.



# SPECIFICATIONS

Model	BBT-65PM
Rated power	3800 W
Displacement	190 cc
Rated speed	2750 RPM
Max torque	8 Nm
Cutting height range	20 - 55 mm
Number of cutting height adjustments	8
Cutting width	21 inches
Cutting height adjustment	Central height adjust
Wheels diameter (rear-front)	152 - 152 mm
Catcher volume	70 L
Weight	31,5 Kg
Sound pressure	88 dB(A)
Sound power	98 dB(A)
Quantity of strokes of work of the Engine	4
Type of engine cooling	Air cooling
Starting mode	Recoil
Drive system	Hand Push
Fuel tank capacity	1,5 L
Max permitted slope	20 degrees

Technical Data subject to change without notice.

# WARRANTY & SERVICE

## Warranties

Bigger Boyz Toyz offer a 1-year parts warranty on all products used for domestic use from the date of purchase. For all commercial use, a 3-month parts warranty period applies, unless specified in the item listing. All conditions below are based upon the product being faulty or not performing as described. In the instance where a return is required, the purchaser is liable for any shipping cost. Warranties will only be determined by a Bigger Boyz Toyz Technician upon inspection.

Warranties do not cover accidents, misuse, neglect, natural disaster or act of God or other external causes, or damage caused by operating the equipment in a manner that is not described in the instructions.

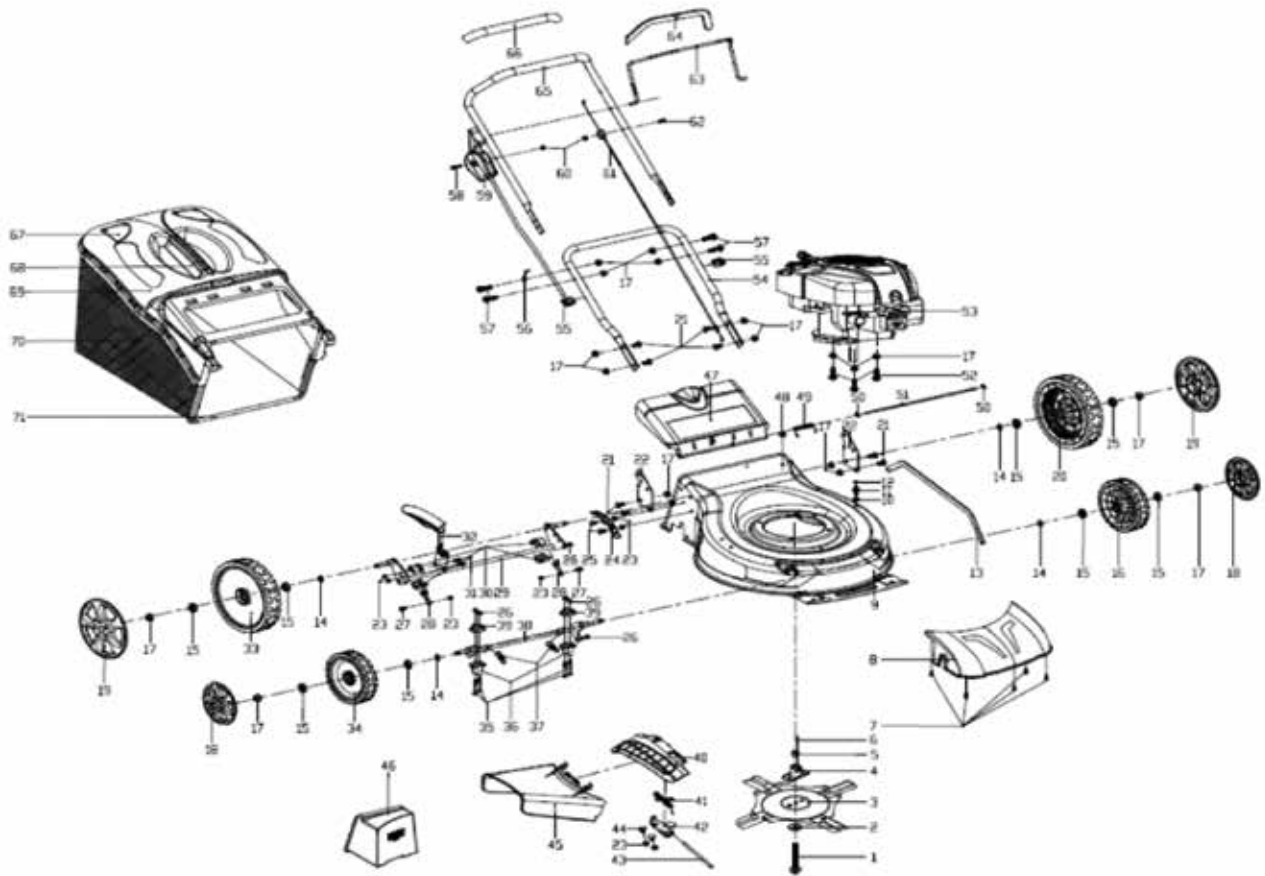
Our products come with guarantees that cannot be excluded under the Australian Consumer Law. You are entitled to a replacement or refund for a major failure and for compensation for any other reasonably foreseeable loss or damage. You are also entitled to have the goods repaired or replaced if the goods fail to be of acceptable quality and the failure does not amount to a major failure.

Parts purchases, consumable components and accessories such as chains, carry bags, batteries, hoses, grinding discs, covers, belts, cable, wheels and blades are not covered by standard warranty.

## Spare Parts

Spare parts are available. Please see our website ([www.bbta.com.au](http://www.bbta.com.au)) or contact us at [bbt@bbta.com.au](mailto:bbt@bbta.com.au) for more details.

# EXPLODED DIAGRAM & PARTS LIST



# EXPLODED DIAGRAM & PARTS LIST

## Drive Unit

NO	SKU	DESCRIPTION	QTY
1	SP-65PM-001	Blade bolt	1
2	SP-65PM-002	Butterfly type washer	1
3	SP-65PM-003	Swing blade	1
4	SP-65PM-004	Blade holder	1
5	SP-65PM-005	Washer	1
6	SP-65PM-006	Crankshaft key	1
7	SP-65PM-007	Self-tapping screw	5
8	SP-65PM-008	Front face	1
9	SP-65PM-009	Deck	1
10	SP-65PM-010	Nut	1
11	SP-65PM-011	Bracket of front wheel axle	1
12	SP-65PM-012	O-ring	1
13	SP-65PM-013	Collection rod	1
14	SP-65PM-014	Washer	4
15	SP-65PM-015	Bearing	8
16	SP-65PM-016	7.5" Wheel(L)	1
17	SP-65PM-017	Nut	19
18	SP-65PM-018	7.5" Wheel cover	2
19	SP-65PM-019	10.5" Wheel cover	2
20	SP-65PM-020	10.5" Wheel(L)	1
21	SP-65PM-021	Square neck bolt	8
22	SP-65PM-022	Left handlerail bracket	2
23	SP-65PM-023	Nut	8
24	SP-65PM-024	Adjustment height board	1
25	SP-65PM-025	Square neck bolt	2
26	SP-65PM-026	Nut	6
27	SP-65PM-027	Hexagon flange bolts	2
28	SP-65PM-028	Fixed plate	2
29	SP-65PM-029	Rear wheel axle	1
30	SP-65PM-030	Washer	4
31	SP-65PM-031	Hexagon flange bolts	2
32	SP-65PM-032	Adjustment handle assy.	1
33	SP-65PM-033	10.5" Wheel(R)	1
34	SP-65PM-034	7.5" Wheel(R)	1
35	SP-65PM-035	Hexagon flange bolts	4
36	SP-65PM-036	Bracket of front wheel axle	2

NO	SKU	DESCRIPTION	QTY
37	SP-65PM-037	Draw spring	2
38	SP-65PM-038	Front axle	1
39	SP-65PM-039	Bracket of front wheel axle	2
40	SP-65PM-040	Seal board	1
41	SP-65PM-041	Torsional spring	1
42	SP-65PM-042	Bracket	1
43	SP-65PM-043	Round rod	1
44	SP-65PM-044	Square neck bolt	2
45	SP-65PM-045	Side discharge	1
46	SP-65PM-046	Plug	1
47	SP-65PM-047	Rear discharge cover	1
48	SP-65PM-048	Plug	1
49	SP-65PM-049	Torsional spring	1
50	SP-65PM-050	Split washer	2
51	SP-65PM-051	Round rod	1
52	SP-65PM-052	Hexagon flange bolts	3
53	SP-65PM-053	Top cap	1
54	SP-65PM-054	Lower handrail	1
55	SP-65PM-055	Cable clip	2
56	SP-65PM-056	Hook	1
57	SP-65PM-057	Hexagon flange bolts	4
58	SP-65PM-058	Hexagon flange bolts	1
59	SP-65PM-059	Throttle control cable assy	1
60	SP-65PM-060	Nut	2
61	SP-65PM-061	Brake cable assy	1
62	SP-65PM-062	Hexagon flange bolts	1
63	SP-65PM-063	Brake lever	1
64	SP-65PM-064	Axle sleeve	1
65	SP-65PM-065	Upper handrail	1
66	SP-65PM-066	Foam pipe	1
67	SP-65PM-067	Indicator	1
68	SP-65PM-068	Cover	1
69	SP-65PM-069	Top cover of grass bag	1
70	SP-65PM-070	Half plastic box	1
71	SP-65PM-071	Collection bag frame	1

## YOU MAY ALSO LIKE



Chainsaws



Cultivators / Tillers



Log Splitters



Mulcher

Enquiry or problems with our products?

**CALL US (02) 4257 4787**



**[www.bbta.com.au](http://www.bbta.com.au)**

COPYRIGHT © BIGGER BOYZ TOYZ AUSTRALIA PTY.LTD  
Unit 2/3 Delta Place Albion Park Rail NSW 2527  
BBT-65PM-MNL1807